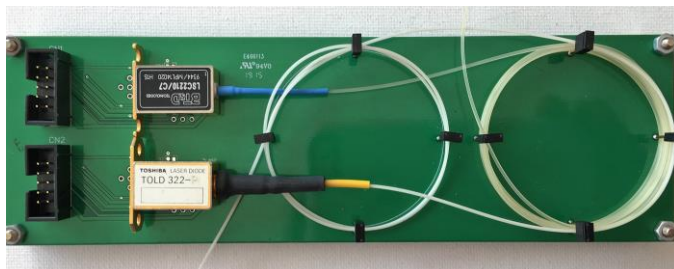
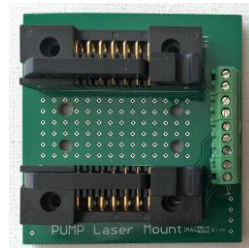




- Laser Mounts for laser assemblies in 14-pin butterfly packages
- Pinout options for common Pump Laser or Telecom Laser configurations
- Laser Mount for Laser DIL Package
- Two version for Butterfly Packages with and without Heatsink.



### Descriptions:

The MOT\_BTSCK test sockets are designed to allow the user to quickly evaluate and implement a laser diode design based on the popular butterfly package. It can be used in conjunction with the MOT600\_EVM Laser Driver board, MOT70x\_OEM TEC Controller board, the MOT6701\_OEM Combination board, or customer own board.

Sockets on the board allow the laser assembly to be connected without soldering. All the necessary connections are grouped on the side of the board for easy connection to the OEM boards.

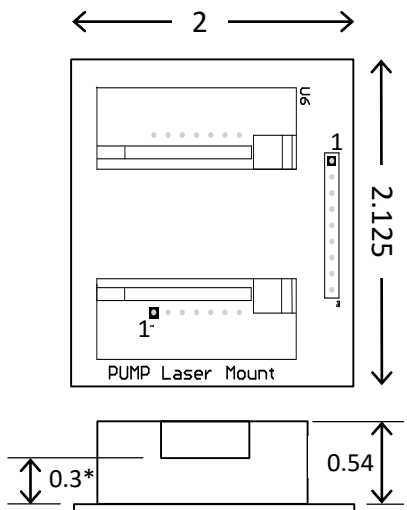
Two versions are available, one with heat sink (MOT\_BTSCK\_HS-x) and one without heatsink (MOT\_BTSCK-x).

Each version is also available in two variants to accommodate the pinout commonly used for Pump lasers and Telecom lasers.

The new dual laser mount for DIL package includes laser pigtail fiber management which makes it easy to handle and work with these lasers.



**MOT-BTSCCK-P Pump Laser**

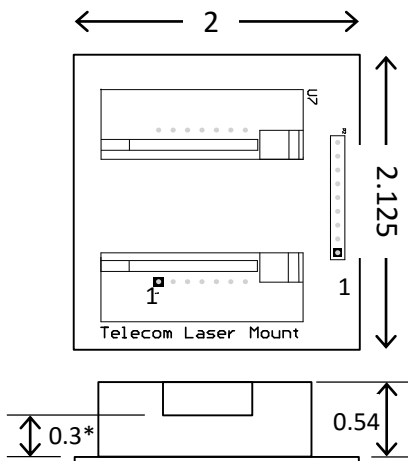


\* Lead height above board surface

Laser Socket		Edge Connector
Pin	Description	Pin Number
1	TEC+/-	9
2	Thermistor	8
3	Photodiode Anode	7
4	Photodiode Cathode	6
5	Thermistor	5
6	NC	
7	Photodiode Cathode	6
8	Photodiode Anode	7
9	Laser Cathode	3
10	Laser Anode	4
11	Laser Cathode	3
12	NC	
13	Case, GND	2 (Board GND)
14	TEC-/+	1

Note: Please make sure that TEC+ & TEC- of your laser package And TEC driver are correctly connected. Refer to your laser spec and driver spec.

**MOT-BTSCCK-T Telecom Laser**



\* Lead height above board surface

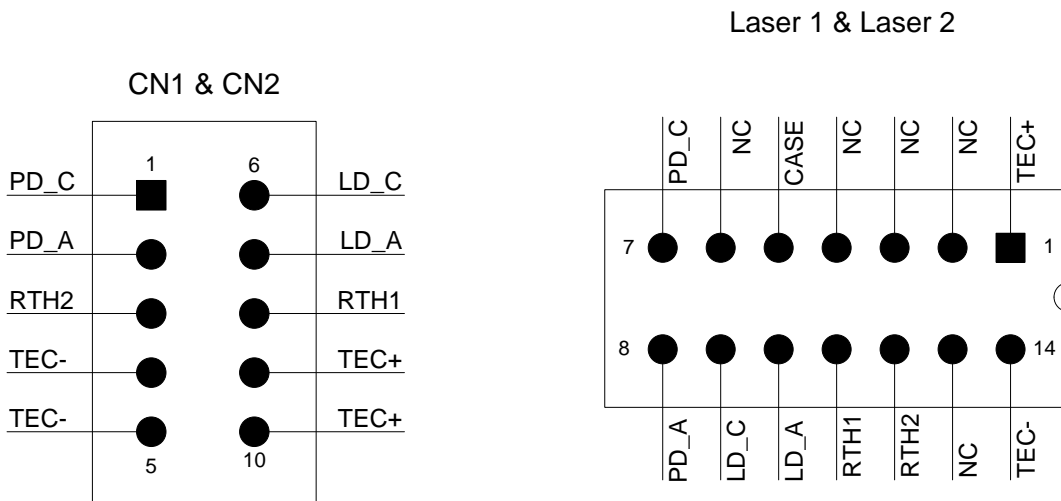
Laser Socket		Edge Connector
Pin	Description	Pin Number
1	Thermistor	1
2	Thermistor	2 (Board GND)
3	Laser Cathode	3
4	Photodiode Anode	4
5	Photodiode Cathode	5
6	TEC+/-	6
7	TEC-/+	7
8	Case, GND	8 (Board GND)
9	Case, GND	8 (Board GND)
10	NC	
11	Laser Anode	9
12	Laser Anode	9*
13	Laser Anode	9
14	NC	

Note: Please make sure that TEC+ & TEC- of your laser package And TEC driver are correctly connected. Refer to your laser spec and driver spec.

*\* Important Note: The Telecom Laser Mounts, MOT\_BTSCCK-T & MOT\_BTSCCK\_HS-T Purchased after 6/03/16, Pin12 has been changed to NC. For units purchased before this date pin12 is connected to pins11 and pin13.*



**MOT-DILSCK Pinout:**



**Selection Table:**

Laser Module Type	Socket Part #	Socket Part #
Telecom Laser	MOT_BTSCCK-T	MOT_BTSCCK_HS-T
Pump Laser	MOT_BTSCCK-P	MOT_BTSCCK_HS-P
DIL Package	MOT_DILSCK	

**Contact Information:**

ModularOne Technology  
 5902 Wessex Court  
 Parker TX 75002

TEL: 214-566-3708  
 Email: [info@modularonetechnology.com](mailto:info@modularonetechnology.com)  
 Web: [www.modularonetechnology.com](http://www.modularonetechnology.com)